

Swirl Jet Diffuser STD/STD1

GRILLES

DECORATIVE
GRILLES

DIFFUSERS

SLOT
DIFFUSERS

SWIRL
DIFFUSERS

ACCESS
DOORS

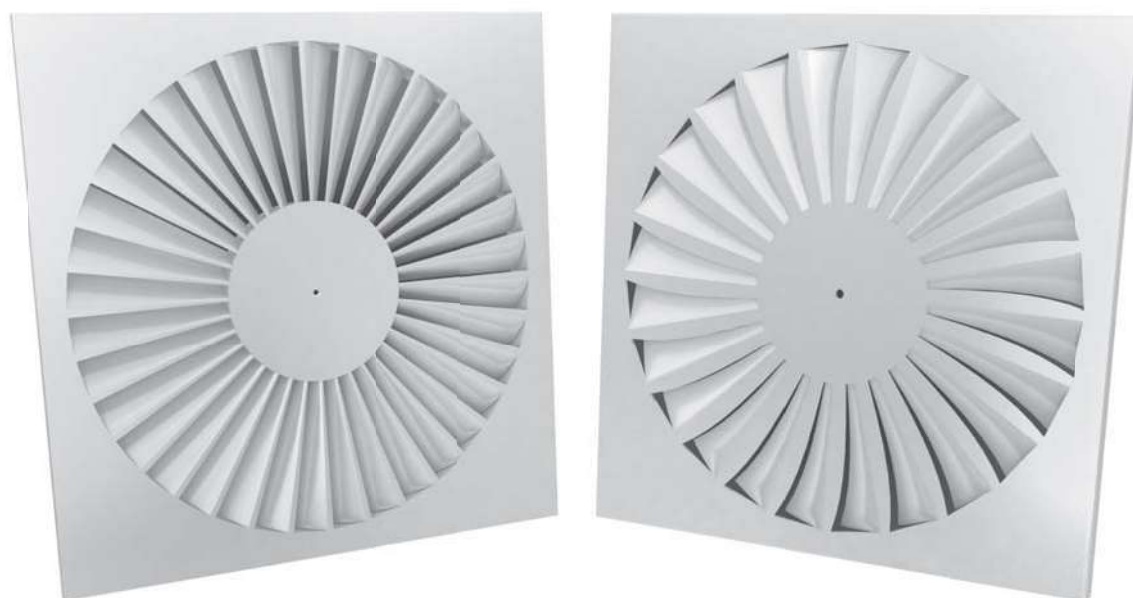
JETS &
VALVES

FIRE
DAMPERS

CONTROL
DAMPERS

FLEXIBLE
DUCTS

ACCESSORIES



Description

Swirl jet diffuser with radial fixed blades **STD/STD1**.

Application

Supply/ exhaust of the air flow

Characteristics

Recommended for rooms between 2.60 to 4.00 meters in height.

Depending on the technical and architectural requirements, the diffuser is produced with round or rectangular front **R/C**.

Blade design, radial layout and swirl action, result in a high level induction rate.

The diffuser should be embedded into the ceiling to ensure a stable horizontal discharge of air.

The diffuser is supplied with seals, screw fastening and masking plastic lid.

Accessories

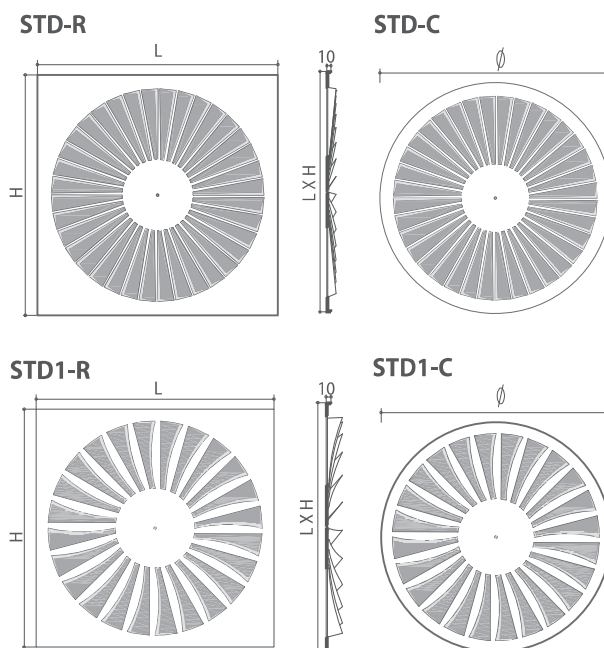
Insulated/Non-insulated adapter **ADP IZ/N**.

Materials and finishing

Pickled steel sheet electrostatic field painted white RAL 9016.

Other RAL colors available on request.

Technical design



Assembly method

Paneled ceiling 600 x 600 mm mounting, fitted with a central screw M6 x 100 mm.

Selection table STD/STD1

STD-R / STD-C

Air flow (m ³ /h)	595 x 595 / D595	
	Ak [m ²]	0.0367
300	Veff[m/s]	2.27
	X [m]	1.80
	NR [dB(A)]	22.00
	ΔPt [pa]	22.00
450	Veff[m/s]	3.41
	X [m]	3.30
	NR [dB(A)]	25.00
	ΔPt [pa]	30.00
500	Veff[m/s]	3.78
	X [m]	3.90
	NR [dB(A)]	35.00
	ΔPt [pa]	33.00
600	Veff[m/s]	4.54
	X [m]	4.80
	NR [dB(A)]	45.00
	ΔPt [pa]	38.00
700	Veff[m/s]	5.30
	X [m]	5.70
	NR [dB(A)]	64.00
	ΔPt [pa]	43.00
800	Veff[m/s]	6.06
	X [m]	6.10
	NR [dB(A)]	79.00
	ΔPt [pa]	49.00

STD1-R / STD1-C

Air flow (m ³ /h)	595 x 595 / D595	
	Ak [m ²]	0.058
300	Veff[m/s]	1.44
	X [m]	2.60
	NR [dB(A)]	-
	ΔPt [pa]	8.00
450	Veff[m/s]	2.16
	X [m]	3.80
	NR [dB(A)]	15.00
	ΔPt [pa]	18.00
500	Veff[m/s]	2.39
	X [m]	4.20
	NR [dB(A)]	18.00
	ΔPt [pa]	20.00
600	Veff[m/s]	2.87
	X [m]	5.00
	NR [dB(A)]	26.10
	ΔPt [pa]	26.00
700	Veff[m/s]	3.35
	X [m]	5.70
	NR [dB(A)]	35.00
	ΔPt [pa]	32.00
800	Veff[m/s]	3.83
	X [m]	6.70
	NR [dB(A)]	44.70
	ΔPt [pa]	36.00

Annotation

- * Ak [m²] - Free surface
- * Veff[m/s] - Air velocity inside the diffuser
- * X [m] - Air jet length
- * NR [dB(A)] - Noise level without the room attenuation
- * ΔPt [pa] - Pressure loss

Order codes

