

SUPPLY & EXTRACT AIR VALVES - K SERIES

Introduction

The K series range of small format supply and extract air terminals are ideally suited for low air volume applications such as domestic residences hotel rooms, toilets etc.

The range comprises a supply valve (type KE), extract valve (type KK) and an extract fire valve (type KSOP).

All models have aerodynamically profiled, adjustable and lockable centre cone which is designed to provide an easy method of flow regulation, with minimal influence on the noise level.

Finishes

Gloss white epoxy stove enamelled paint is offered as a standard finish to provide maximum corrosion resistance in a damp environment. A full range of colours are however available in either the BS or RAL ranges.

Fixing

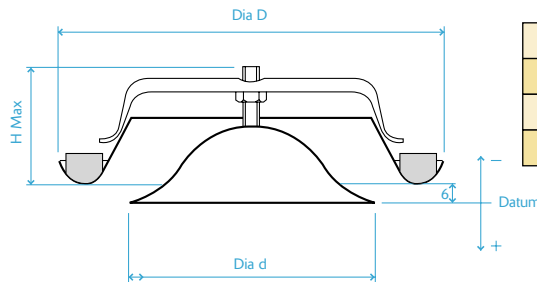
The valves are supplied with an easy fit bayonet collar which can either be riveted to the duct or screw fixed to the mounting surface.

Fire Rating: BS476 Part 20 1987

The KSOP is rated for two hours and automatically closes on temperatures exceeding 70°C (integrity test 135 minutes duration)

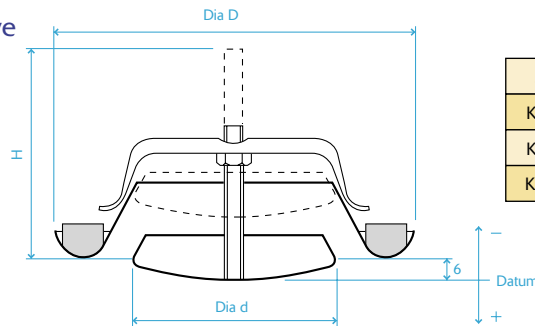
Sizes & Dimensions

TYPE KE - Supply Air Valve



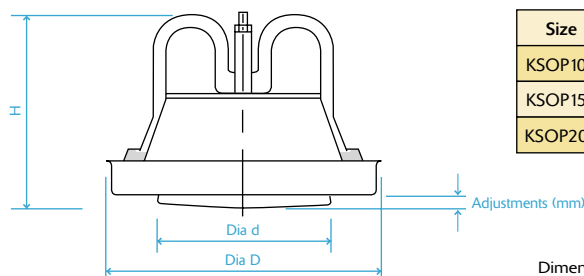
Size	D	d	H	ideal airflow	PA	db(A)
KE100	137	94	47	24 L/S	50	30
KE150	202	135	60	60 L/S	50	30
KE200	249	194	75	120 L/S	50	30

TYPE KK - Extract Air Valve



Size	D	d	H	ideal airflow	PA	db(A)
KK100	137	75	70	27 L/S	60	<25
KK150	202	120	85	60 L/S	50	30
KK200	248	157	110	110 L/S	60	30

TYPE KSOP - Extract Fire Valve



Size	D	d	H	ideal airflow	PA	db(A)
KSOP100	134	71	94	25 L/S	50	<25
KSOP150	191	111	109	60 L/S	60	<25
KSOP200	241	150	127	70 L/S	60	25

Dimensions are in mm • Full graphs available on request